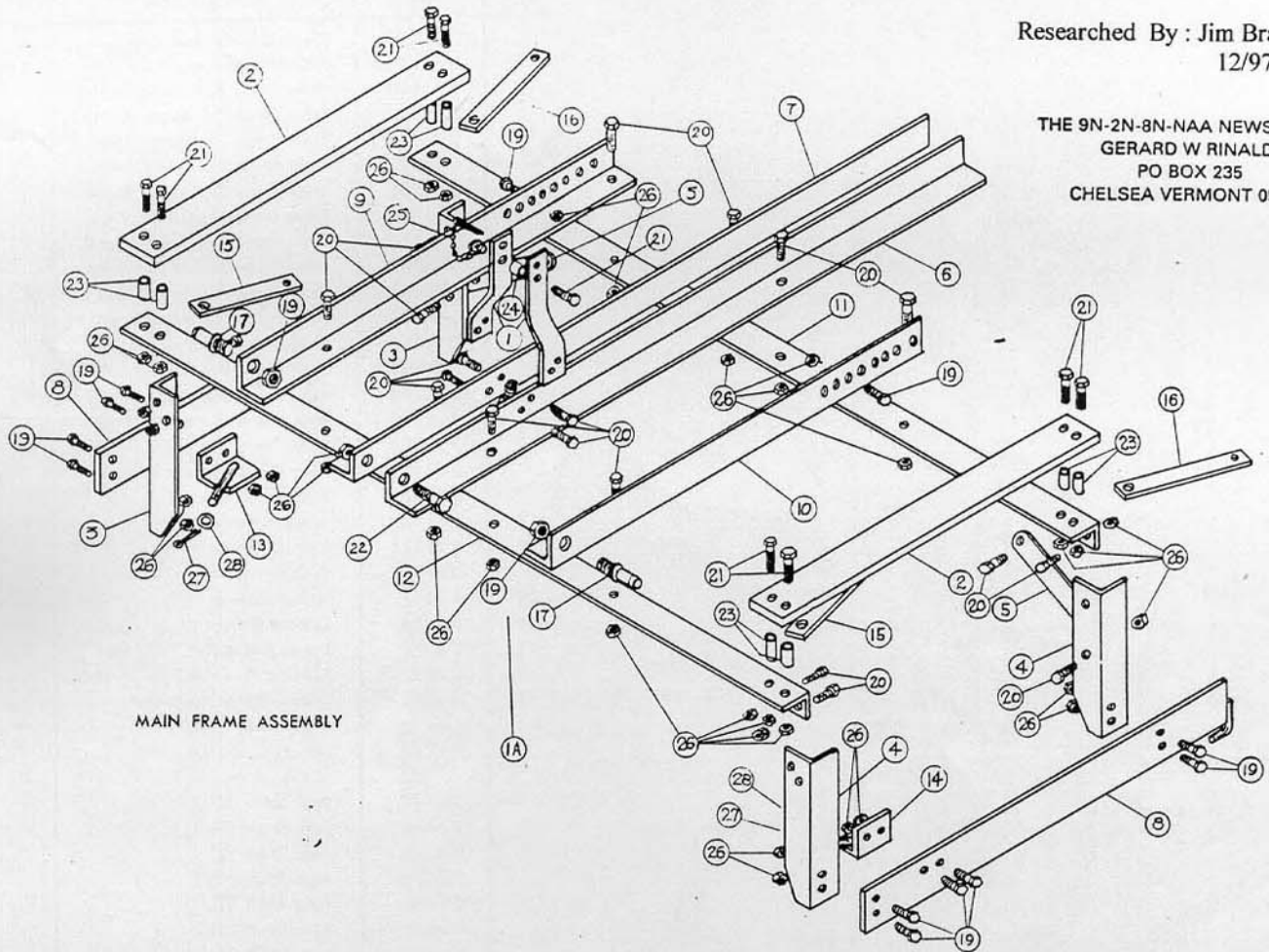


LOVE LIFT TANDEM DISC HARROW

PARTS LIST FOR MODEL LD-9

Researched By : Jim Brazin
12/97

THE 9N-2N-8N-NAA NEWSLETTER
GERARD W RINALDI
PO BOX 235
CHELSEA VERMONT 05038



MAIN FRAME ASSEMBLY

REF. NO.	PART NO.	DESCRIPTION	NO. REQUIRED
1A	D 50050	Main Frame Assembly	1
1	D 50025	Adjusting Bracket	2
2	D 50075	Top Side Plate	2
3	D 50100 R	Frame Upright (Right)	2
4	D 50100 L	Frame Upright (Left)	2
5	D 50300	Upright Brace	2
6	D 50325	Left Center Angle	1
7	D 50330	Right Center Angle	1
8	D 50450	Side Plate Assembly	2
	*D 50451 R	Side Plate Assembly	1
	*D 50451 L	Side Plate Assembly	1
9	D 50400 R	Lift Angle (Right)	1
10	D 50400 L	Lift Angle (Left)	1
11	D 50425	Cross Angle Rear	1
12	D 50435	Cross Angle Front	1
	*D 50545	Cross Angle Front	1
13	D 51350 R	Front Pivot Assembly (Right)	1

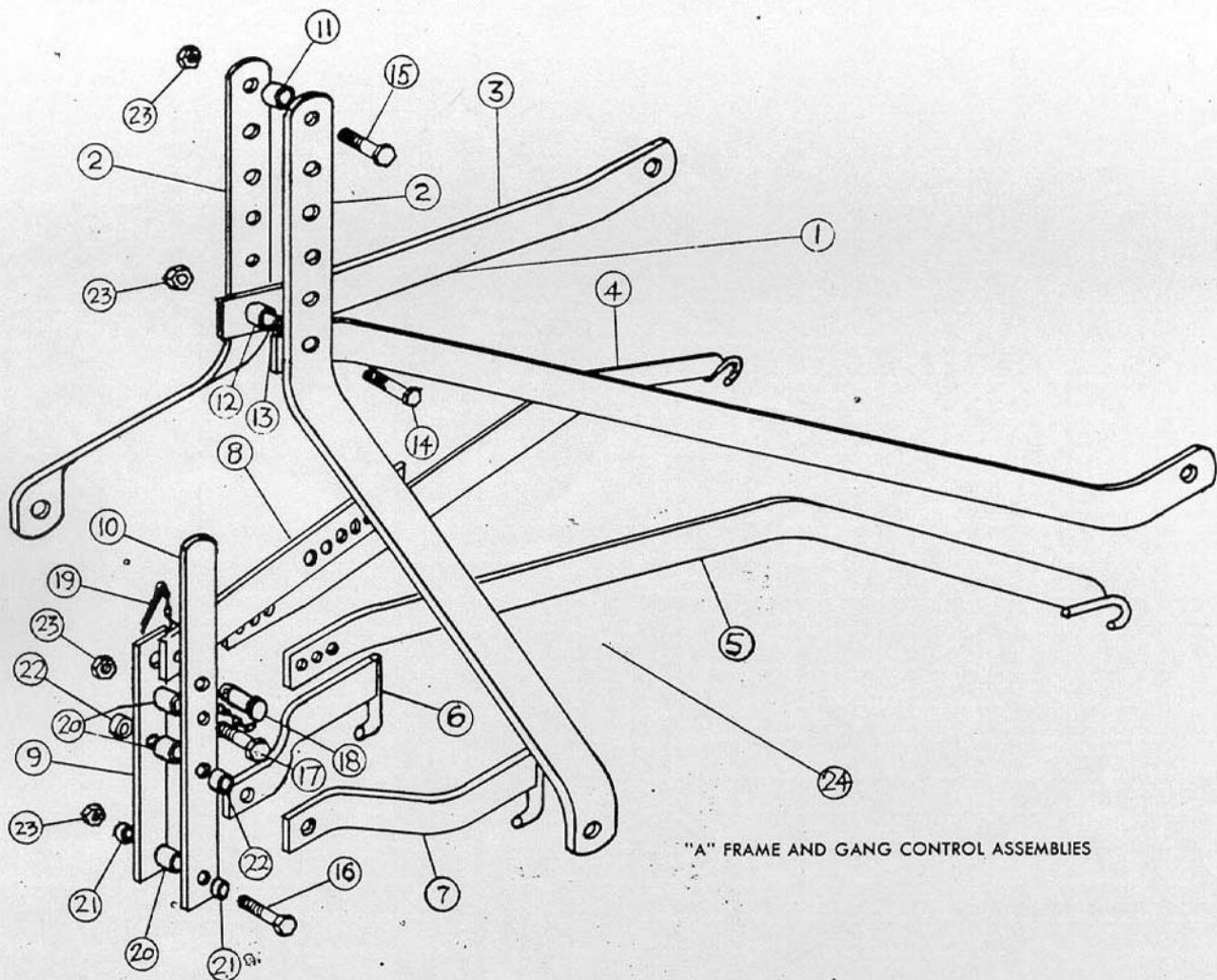
REF. NO.	PART NO.	DESCRIPTION	NO. REQUIRED
14	D 51350 L	Front Pivot Assembly (Left)	1
15	D 51375	Front Gang Stabilizer	2
	*D 51385	Front Gang Stabilizer	2
16	D 51400	Rear Gang Stabilizer	2
	*D 51405	Rear Gang Stabilizer	2
17	D 1975	Pull Pin	2
18	LN 780	Hex Nut 3/8"	2
19	705 C	Hex Capscrew 7/16" x 1 1/4"	14
20	704 C	Hex Capscrew 7/16" x 1"	22
21	707 C	Hex Capscrew 7/16" x 1 3/4"	9
22	715 C	Hex Capscrew 7/16" x 3 3/4"	1
23	D 2366	Spacer 7/16" x 7/16"	8
24	D 2376	Spacer 7/16" x 7/16"	1
25	D 2750	Chevis Pin Chain	1
26	716 LN	Hex Lock Nut 7/16"	46
27	D 3165	Colter Key	2
28	580 W	Washer 3/8"	2

* NOTE—On 5' Models manufactured after July 15, 1950 these special parts are required.

GIVE PART NUMBER AND DESCRIPTION WHEN ORDERING

LOVE TRACTOR, Inc.

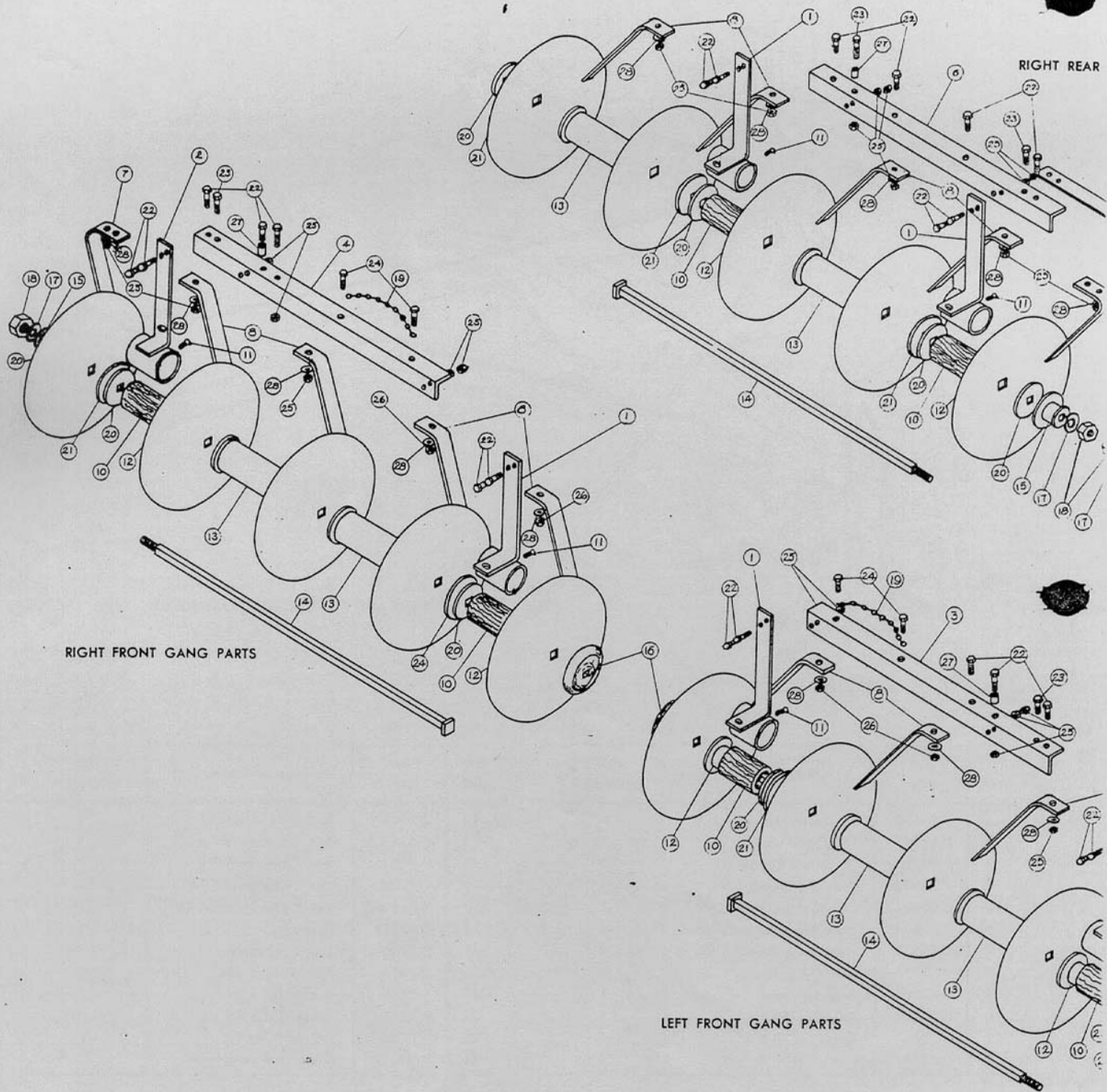
EAU CLAIRE, MICHIGAN



"A" FRAME AND GANG CONTROL ASSEMBLIES

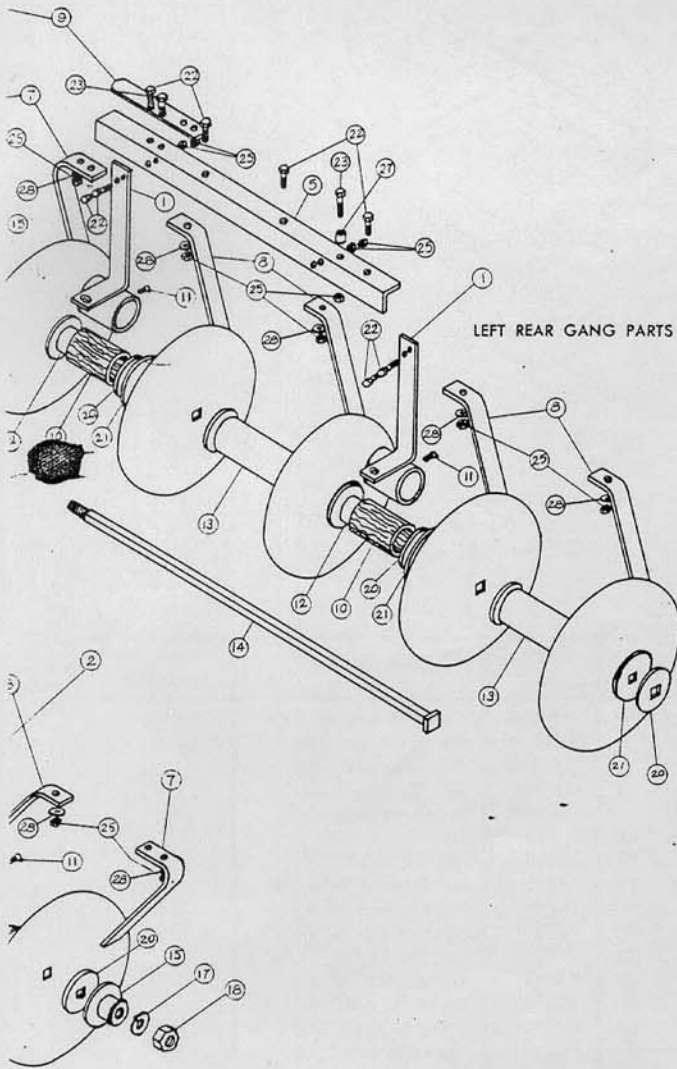
REF. NO.	PART NO.	DESCRIPTION	NO. REQUIRED
1	D 50550	"A" Frame Assembly	1
2	D 50500	"A" Frame Upright	2
3	D 50525	"A" Frame Rear Brace	2
4	D 2200 R	Rear Gang Control (Right)	1
5	D 2200 L	Rear Gang Control (Left)	1
6	D 2350 R	Front Gang Control (Right)	1
7	D 2350 L	Front Gang Control (Left)	1
8	D 50125	Adjusting Control	1
9	D 50225	Adjusting Lever	1
10	D 50275	Adjusting Handle	1
11	D 2326	Spacer $\frac{7}{16}$ " x $1\frac{3}{8}$ "	1
12	D 2078	Spacer $\frac{1}{8}$ " x $\frac{7}{8}$ "	1

REF. NO.	PART NO.	DESCRIPTION	NO. REQUIRED
13	D 2058	Spacer $\frac{3}{8}$ " x $\frac{7}{8}$ "	1
14	513 C	Hex. Capscrew $\frac{5}{8}$ " x $3\frac{1}{4}$ "	1
15	712 C	Hex. Capscrew $\frac{7}{16}$ " x 3"	1
16	715 C	Hex. Capscrew $\frac{7}{16}$ " x $3\frac{3}{4}$ "	1
17	711 C	Hex. Capscrew $\frac{7}{16}$ " x $2\frac{3}{4}$ "	1
18	D 2265	Chevis Pin	1
19	D 2750	Chevis Pin Chain	1
20	D 2776	Spacer $\frac{7}{16}$ " x $1\frac{5}{16}$ "	3
21	D 2376	Spacer $\frac{7}{16}$ " x $\frac{9}{16}$ "	2
22	D 2366	Spacer $\frac{7}{16}$ " x $\frac{7}{16}$ "	2
23	716 LN	Hex. Lock Nut $\frac{7}{16}$ "	4
24	D 50650	Gang Control Assembly	1



3 1452-1650
2 1411 - 14
1 221 -

IG PARTS



REF. NO.	PART NO.	DESCRIPTION	NO. REQUIRED			
			5'	6 1/2'	8'	9'
1	D 51050	Gang Upright Assembly	6	6	6	10
2	D 51150	Gang Upright Assembly	2	2	2	2
3	D 51130	Front Gang Top Angle (Left)	1			
	D 51125	Front Gang Top Angle (Left)		1		
	D 51525	Front Gang Top Angle (Left)			1	
	D 51725	Front Gang Top Angle (Left)				1
4	D 51180	Front Gang Top Angle (Right)	1			
	D 51175	Front Gang Top Angle (Right)		1		
	D 51575	Front Gang Top Angle (Right)			1	
	D 51775	Front Gang Top Angle (Right)				1
5	D 51080	Rear Gang Top Angle (Left)	1			
	D 51075	Rear Gang Top Angle (Left)		1		
	D 51625	Rear Gang Top Angle (Left)			1	
	D 51825	Rear Gang Top Angle (Left)				1
6	D 51110	Rear Gang Top Angle (Right)	1			
	D 51100	Rear Gang Top Angle (Right)		1		
	D 51675	Rear Gang Top Angle (Right)			1	
	D 51875	Rear Gang Top Angle (Right)				1
7	D 51475	Scraper Blade	4	4	4	4
8	D 51500	Scraper Blade	12	16	20	24
9	D 51325	Rear Depth Plate	2	2	2	2
	D 51330	Rear Depth Plate	2			2
10	D 3567	Wood Bushing	8	8	8	12
11	D 3575	Grease Fitting	8	8	8	12
12	D 4050	Bearing Assembly 7/8" Axle	8	8	8	12
	D 4052	Bearing Assembly 1 1/8" Axle	8	8	8	12
13	D 4350	Spacer Spool Assembly 7/8" Axle	4	8	12	12
	D 4352	Spacer Spool Assembly 1 1/8" Axle	4	8	12	12
14	D 4445	Axle Shaft 7/8"	4			
	D 4465	Axle Shaft 1 1/8"	4			
	D 4446	Axle Shaft 7/8"		4		
	D 4466	Axle Shaft 1 1/8"		4		
	D 4448	Axle Shaft 7/8"			4	
	D 4468	Axle Shaft 1 1/8"			4	
	D 4469	Axle Shaft 1 1/8"				4
15	D 4778	Nut End Washer 7/8"	4	4	4	
	D 4798	Nut End Washer 1 1/8"	4	4	4	4
16	D 4378	Bumper Washer 7/8"	2	2	2	
	D 4398	Bumper Washer 1 1/8"	2	2	2	2
17	D 4777	Nut Lock 7/8"	4	4	4	
	D 4797	Nut Lock 1 1/8"	4	4	4	4
18	D 780 NC	Axle Nut 7/8"	4	4	4	
	1005 NC	Axle Nut 1 1/8"	4	4	4	4
19	D 3650	Chain Assembly	2	2	2	2
20	D 4275 A	Drive Washer 7/8"	14	14	14	
	D 4295	Drive Washer 1 1/8"	14	14	14	18
21	D 4275 A	Drive Washer 7/8"	10	10	10	
	D 4265	Drive Washer 1 1/8"	10	10	10	14
22	705 C	Hex Capscrews 7/16" x 1 1/4"	26	30	34	38
23	706 C	Hex Capscrews 7/16" x 1 1/2"	6	6	6	6
24	507 C	Hex Capscrews 3/16" x 1 3/4"	4	4	4	4
25	716 LN	Hex Nut 7/16"	32	36	40	44
26	516 LN	Hex Nut 3/16"	4	4	4	4
27	D 2366	Spacer 7/16" x 7/16"	4	4	4	4
28	716 W	Flat Washer 7/16"	16	20	24	28
	D 4612 B	Disc Blade 16" Reg. 7/8" Axle	16	20	24	
	D 4612 BC	*Disc Blade 16" C.O. 7/8" Axle				
	D 4612 D	Disc Blade 16" Reg. 1 1/8" Axle	16	20	24	28
	D 4612 DC	*Disc Blade 16" C.O. 1 1/8" Axle				
	D 4811 B	Disc Blade 18" Reg. 7/8" Axle	16	20	24	
	D 4811 BC	*Disc Blade 18" C.O. 7/8" Axle				
	D 4811 D	Disc Blade 18" Reg. 1 1/8" Axle	16	20	24	28
	D 4811 DC	*Disc Blade 18" C.O. 1 1/8" Axle				
	D 4209 D	Disc Blade 20" Reg. 1 1/8" Axle	16	20	24	28
	D 4209 DC	*Disc Blade 20" C.O. 1 1/8" Axle				
	D 4229 D	Disc Blade 22" Reg. 1 1/8" Axle				

LOVE LIFT TANDEM DISC HARROW

Parts List for Model LD-9
(Prices subject to change without notice)

August 23, 1950

507-C	.12	D-4275-A	.20	D-50435	5.90
513-C	.20	D-4295	.20	D-50450	4.95
516-LN	.03	D-4350	1.60	D-50451-R	5.25
580-W	.03	D-4352	1.60	D-50451-L	5.25
704-C	.04	D-4378	1.35	D-50500	1.90
705-C	.05	D-4398	1.35	D-50500-A	2.35
706-C	.06	D-4445	3.00	D-50525	2.00
707-C	.07	D-4446	3.25	D-50545	5.90
711-C	.08	D-4448	4.25	D-50550	8.00
712-C	.08	D-4465	3.35	D-50650	8.25
715-C	.11	D-4466	3.95	D-51050	3.35
716-LN	.04	D-4468	4.50	D-51075	3.10
716-W	.01	D-4469	5.05	D-51080	3.00
780-LN	.20	D-4612-A	2.15*	D-51100	3.10
780-NC	.14	D-4612-BC	2.60*	D-51110	3.00
1005-NC	.27	D-4612-D	2.15*	D-51125	3.10
D-2058	.06	D-4612-DC	2.60*	D-51130	3.00
D-2078	.07	D-4777	.10	D-51150	3.20
D-2250-R	3.80	D-4778	.65	D-51175	3.10
D-2250-L	3.80	D-4797	.10	D-51180	3.00
D-2265	.50	D-4798	.65	D-51325	.60
D-2326	.06	D-4811-B	2.90*	D-51330	.80
D-2350-R	1.80	D-4811-BC	3.50*	D-51350-R	1.50
D-2350-L	1.80	D-4811-D	2.90*	D-51350-L	1.50
D-2366	.04	D-4811-DC	3.50*	D-51375	.55
D-2376	.04	D-50025	.75	D-51385	.60
D-2750	.25	D-50050	45.25*	D-51400	.70
D-2776	.06	D-50075	2.25	D-51405	.75
D-3165	.01	D-50100-R	1.30	D-51475	.85
D-3567	.90*	D-50100-L	1.30	D-51500	.70
D-3575	.20	D-50125	1.15	D-51525	3.75
D-3650	.40	D-50225	1.20	D-51575	3.75
D-4050	1.10	D-50275	1.35	D-51625	3.75
D-4052	1.10	D-50300	.45	D-51675	3.75
D-4209-D	4.35*	D-50325	4.65	D-51725	4.50
D-4209-DC	5.25*	D-50330	4.65	D-51775	4.50
D-4229-D	5.60*	D-50400-R	3.25	D-51825	4.50
D-4265	.20	D-50400-L	3.25	D-51875	4.50
		D-50425	4.80		

* Implement discount only